

Detector iS Gas Detector



Key Features:

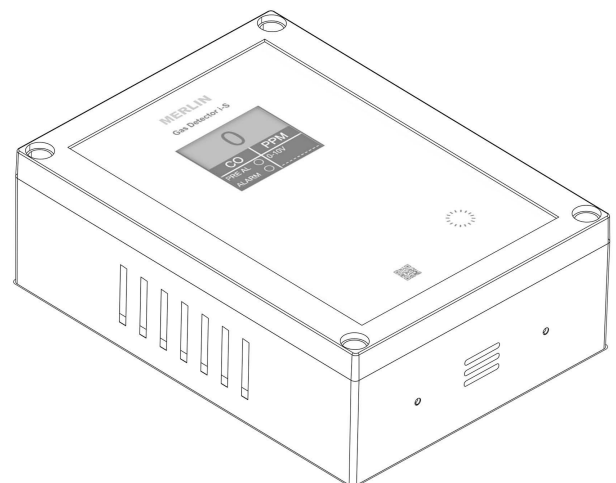
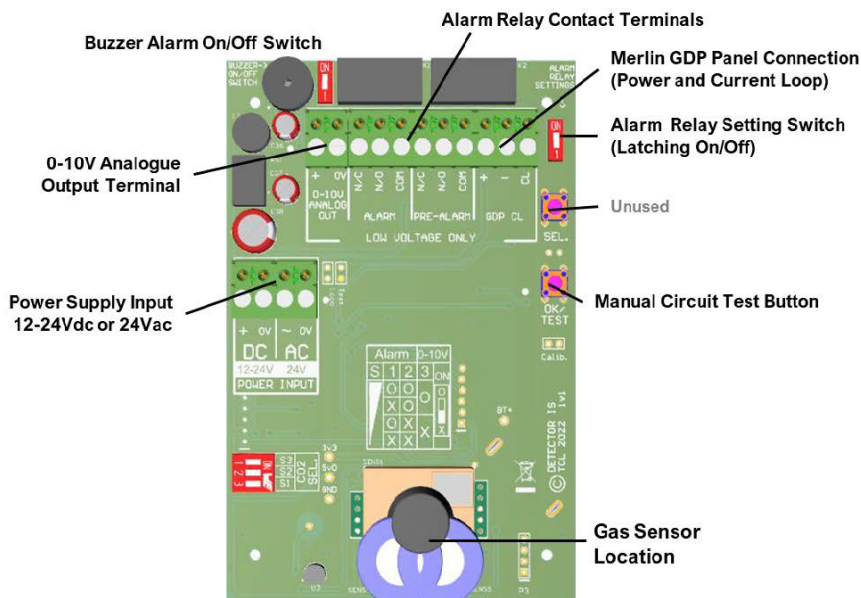
- 24VAC or DC Power Input
- Traffic Light Indicator Display Changes Color Dependent On Gas Levels
- Modern & Compact Design
- Plug & Play Installation
- Standalone Detector or Used With An S&S Controller
- Modbus Communications
- Alarm Relay Dry Contact
- In-Built Audible Alarm
- Duct Mount Kit Available (Refer to Duct Mount detector sheet)

Product Overview:

The iS Detector is a standalone gas detector that operates on 24VAC or DC power input. Featuring a traffic light indicator display that changes color based on gas levels, it provides clear visual alerts. Its modern and compact design, along with plug & play installation, ensures easy setup and use. The iS Detector supports BMS/BAS communications, includes an in-built audible alarm, and has an alarm relay dry contact for added safety. It detects various gases, including natural gas, carbon monoxide, LPG, hydrogen, nitrogen dioxide, and carbon dioxide.

Gases Available

- Natural Gas (CH₄)
- Carbon Monoxide (CO)
- LPG (C₃H₈)
- Hydrogen (H₂)
- Hydrogen Sulphide (H₂S)
- Nitrogen Dioxide (NO₂)
- Carbon Dioxide (CO₂)



Detector iS

Technical Specifications

General

Model:	Detector iS Range
Target Gases:	See first page
Size: (H x W x D)	5.95 x 4.37 x 1.97"
Housing Material:	ABS Polylac - PA765
Mounting:	IFT A.F.F. - Indoor Use - Wall Mounted
Weight	0.21kg

User Interface

Display	1.8" TFT
Screen Brightness:	Non-Adjustable
Visual Indicators:	TFT visual. Green: Normal; Yellow: Pre-Alarm; Red: Alarm
Audible Alarm:	>95dB @ 1m conditions
Buttons:	None
Language:	English

Power Supply

Power Consumption:	90mA Max @ 24vdc
DC Power:	12-32 VDC - Nominal 24 VDC
Internal Fuse:	None

Equipment

Overvoltage Category:	III
Pollution Degree:	3

I/O

Relay:	Volt Free (Normally Closed / Common / Normally Open) 1x 30vdc 2A (Non-Latching)
--------	---

Environmental

Operating:	-10 ~ 50°C / 14 ~ 122°F 30 ~ 80% RH (non-condensing)
Storage	-25 ~ 50°C / -13~122°F up to 95% RH (non-condensing)
Atmospheric Pressure:	70-110kPa
Altitude Rating:	<9500ft

Wiring

Typical	#18-24AWG Power Pair; #18-24AWG Data Pair-Tinned copper.
---------	--

Approvals

Electromagnetic Compatibility and Electrical Safety	BS/IEC/EN 61010-1 EMC EN 50270
---	-----------------------------------

Other

Sensor Specifications

	NGiS	LPGiS	HiS	H2SiS	NO2iS	CO2iS	COiS
Indicating Range	0-20% LEL	0-20% LEL	0-20% LEL	0-20ppm	0-20ppm	0-5000ppm	0-999ppm
Alarm 1 (Pre Alarm)	<8% LEL	<8% LEL	<8% LEL	<5ppm	<0.7ppm	<800ppm	<20ppm
Alarm 2 (Alarm)	<10% LEL	<10% LEL	<10% LEL	<10ppm	<2ppm	<1000ppm	<See Below
End Of Life	10 Years	10 Years	10 Years	3 Years	3 Years	10 Years	5 Years

Carbon Monoxide TWA Exposure Alarm Levels: <20ppm @2 hours <50ppm @ 1 hour <100ppm @ 10 minutes <300ppm @ 1 minute